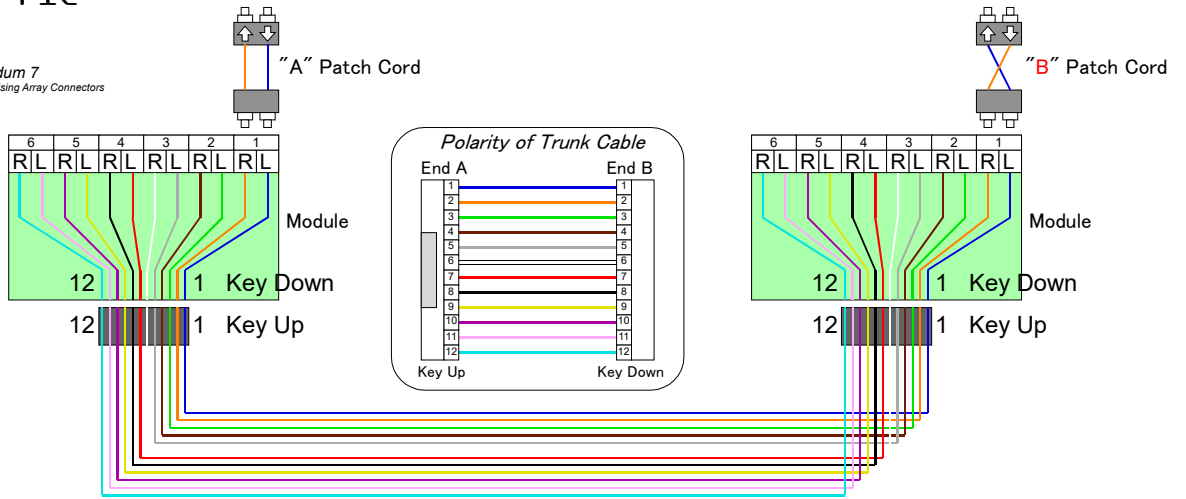




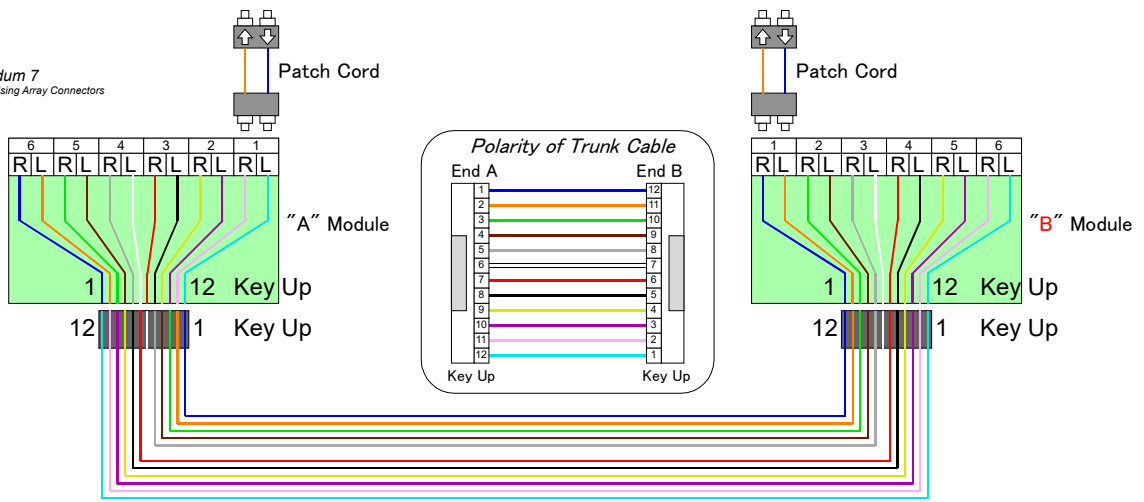
Method - A

TIA/EIA-568-B.1 Addendum 7
Guidelines for Maintaining Polarity Using Array Connectors



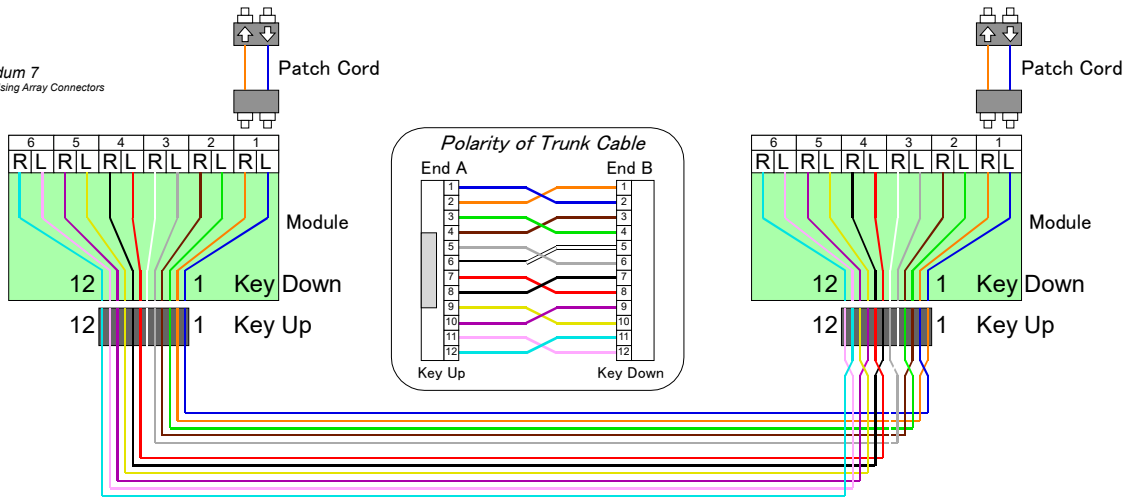
Method - B

TIA/EIA-568-B.1 Addendum 7
Guidelines for Maintaining Polarity Using Array Connectors



Method - C

TIA/EIA-568-B.1 Addendum 7
Guidelines for Maintaining Polarity Using Array Connectors



Corning Universal System

